

# DART SERVICE BULLETIN

REF. TCCA STC: SH07-28  
REF. FAA STC: SR02831NY

Dart Service Bulletin Number: **DSB-D212-725-4**

**Purpose: To provide economical replacements for the Eagle Single interconnect valves should they require replacement.**

Eligible Serial Numbers: **30687, 30931, 30576, 30817, 30599, 30544, 30866, and 30826**

Compliance: **Optional.**

**Description:** This service bulletin provides instructions for the installation of DSB-D212-725-4-011 fuel interconnection substitution kit. To replace just the fwd interconnect valve, procure the DSB-D212-725-4-013 kit. To replace just the aft interconnect valve, procure the DSB-D212-725-4-015 kit. These kits provide economical replacements for the interconnect valves, should they require replacement.

**Parts List:**

QTY -011	QTY -013	QTY. -015	PART NUMBER	DESCRIPTION
X			DSB-D212-725-4-011	FUEL INTERCONNECTION SUBSTITUTION KIT
	X		DSB-D212-725-4-013	FWD INTERCONNECT KIT
		X	DSB-D212-725-4-015	AFT INTERCONNECT KIT
1		1	D212-725-1-271	FITTING
1	1		D212-725-1-273	HOSE ASSEMBLY
1	1		AN815-8D	UNION
2		2	MS29513-123	PACKING, PREFORMED

CANADA  
DEPARTMENT OF TRANSPORT  
AIRCRAFT CERTIFICATION  
BRANCH  
DAO # 01-0-01

**APPROVED**

BY: *D. Shepherd*  
D. SHEPHERD (DE # 02)

DATE: 12.06.13  
CERT. NO.: SH07-28  
ISSUE NO.: 2

A	NEW ISSUE	DC	12.06.13
REV.	DESCRIPTION	BY	DATE
DESIGN	<i>DC</i>	<b>DART AEROSPACE LTD</b> HAWKESBURY, ONTARIO, CANADA	
DRAWN	<i>DC</i>		
CHECKED	<i>DC</i>	DRAWING NO.	REV. A
MFG. APPR.	<i>DC</i>	<b>DSB-D212-725-4</b>	SHEET 1 OF 4
APPROVED	<i>DC</i>	TITLE	SCALE
DE APPR.	<i>DC</i>	<b>SERVICE BULLETIN</b>	NTS
DATE	<b>12.06.13</b>	<small>COPYRIGHT © 2012 BY DART AEROSPACE LTD THIS DOCUMENT IS PRIVATE AND CONFIDENTIAL AND IS SUPPLIED ON THE EXPRESS CONDITION THAT IT IS NOT TO BE USED FOR ANY PURPOSE OR COPIED OR COMMUNICATED TO ANY OTHER PERSON WITHOUT WRITTEN PERMISSION FROM DART AEROSPACE LTD.</small>	

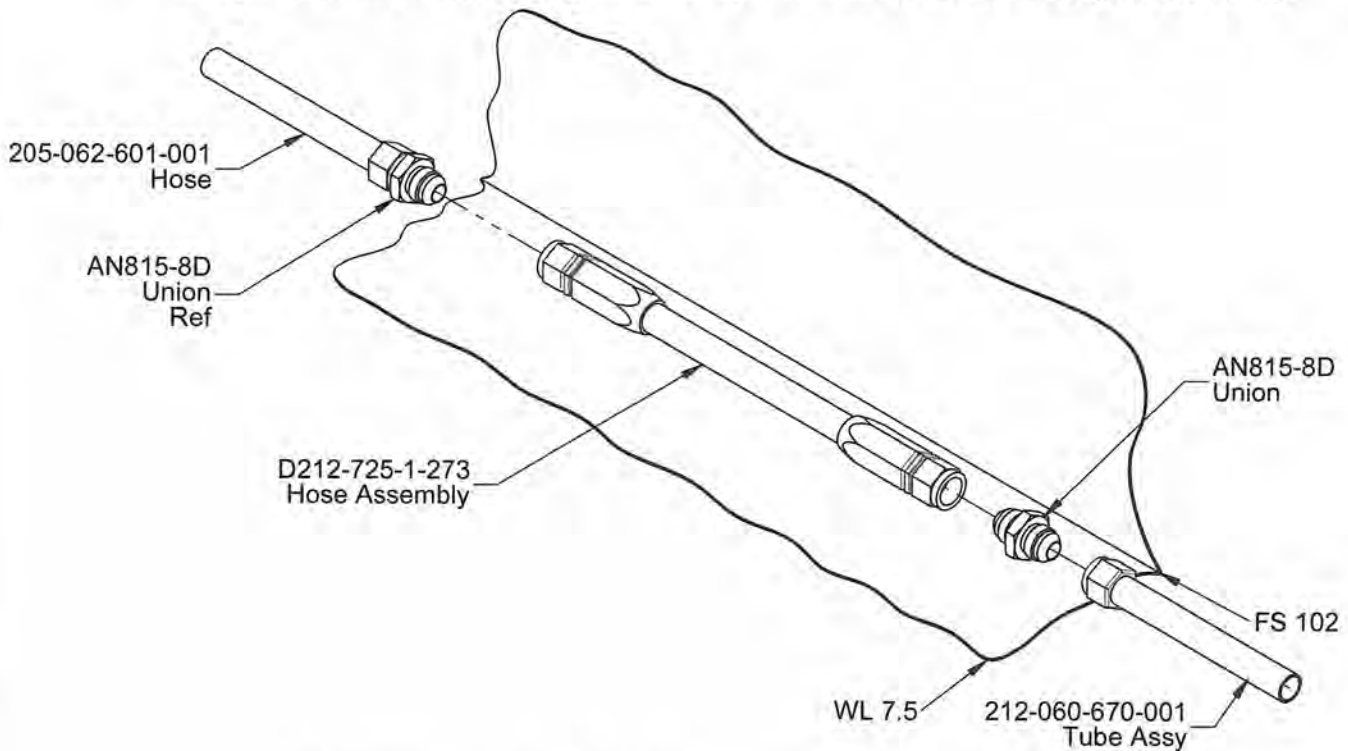
Procedure:

1) To replace Fwd Interconnect Valve using the DSB-D212-725-4-013 kit:

- a) Remove existing fwd fuel interconnect valve (BHT-212-IPB Figure 28.4 Item 31) and Bell p/n 205-062-601-001 Hose (BHT-212-IPB Figure 28.5 Item 19A).
- b) Connect D212-725-1-273 Hose Assembly to existing Bell p/n 205-062-601-001 Hose (BHT-212-IPB Figure 28.5 Item 19) using existing AN815-8D Union.
- c) Connect other end of D212-725-1-273 Hose Assembly to existing Bell p/n 212-060-670-001 Tube Assembly (BHT-212-IPB Figure 28.4 Item 32) using AN815-8D Union (See Figure 1). Clamp hose as required.

2) To replace Aft Interconnect Valve using the DSB-D212-725-4-015 kit:

- a) Remove existing aft fuel interconnect valve (BHT-212-IPB Figure 28.4 Item 14).
- b) Install D212-725-1-271 Fitting with MS29513-123 Preformed Packing at same location using hardware shown in Figure 2. Torque screws to 20-25 in-lb (2.3-2.8 N\*m).



**FIGURE 1: FWD INTERCONNECT VALVE REPLACEMENT**

CANADA  
DEPARTMENT OF TRANSPORT  
AIRCRAFT CERTIFICATION  
BRANCH  
DAO # 01-O-01

**APPROVED**

BY: *[Signature]*  
D. SHEPHERD (DE # 02)

DATE: 12.06.13  
CERT. NO.: SH07-28  
ISSUE NO.: 2

DESIGN *[Signature]*  
DRAWN *[Signature]*  
CHECKED *[Signature]*  
MFG. APPR. N/A  
APPROVED *[Signature]*  
DE APPR. *[Signature]*  
DATE 12.06.13

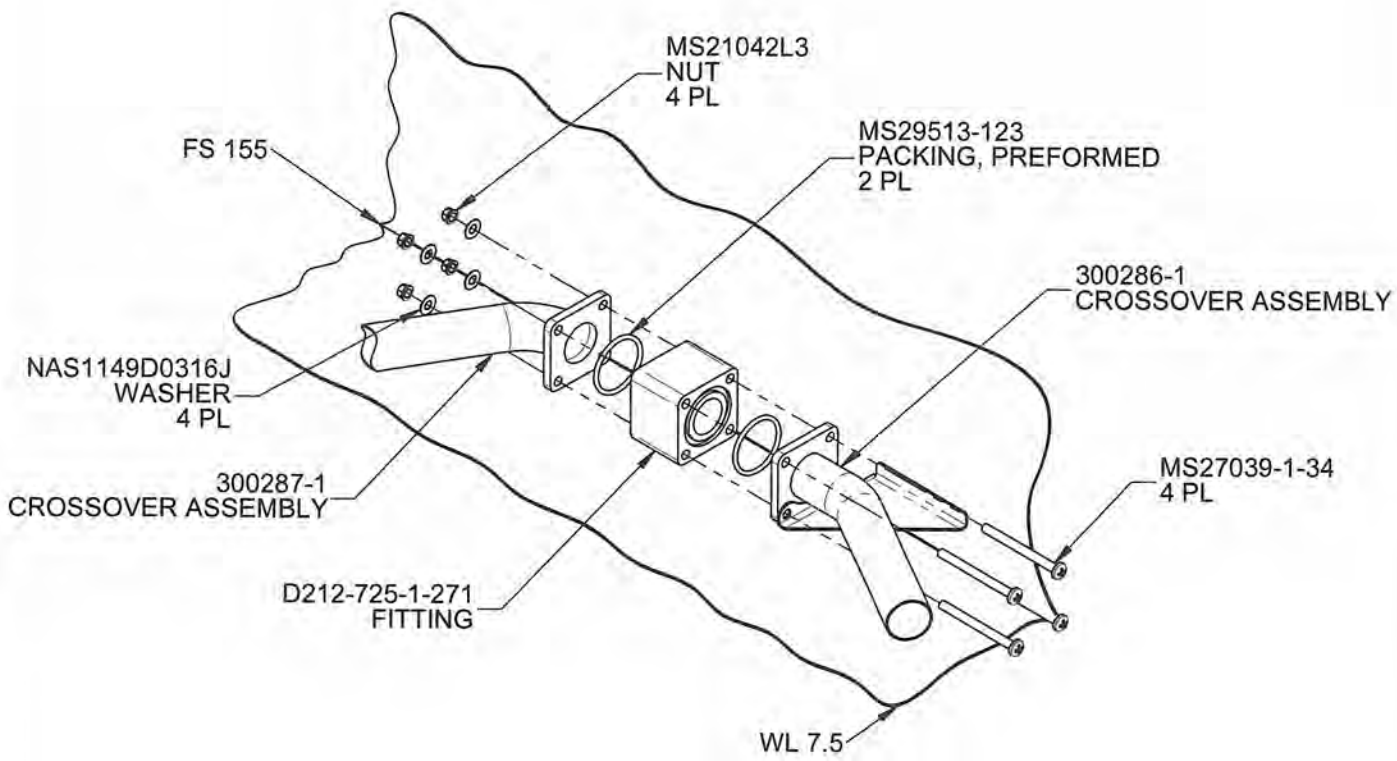
**DART AEROSPACE LTD**  
HAWKESBURY, ONTARIO, CANADA

DRAWING NO. DSB-D212-725-4  
TITLE SERVICE BULLETIN

REV. A  
SHEET 2 OF 4  
SCALE NTS

COPYRIGHT © 2012 BY DART AEROSPACE LTD  
THIS DOCUMENT IS PRIVATE AND CONFIDENTIAL AND IS SUPPLIED ON THE EXPRESS CONDITION THAT IT IS NOT TO BE USED FOR ANY PURPOSE OR COPIED OR COMMUNICATED TO ANY OTHER PERSON WITHOUT WRITTEN PERMISSION FROM DART AEROSPACE LTD.





**FIGURE 2: REAR INTERCONNECT VALVE REPLACEMENT**

- 3) Notify Eagle Copters that this Service Bulletin has been accomplished by filling out the attached form (see Sheet 4) and emailing it to dshepherd@dartaero.com.
- 4) Make entry in aircraft technical records to indicate that DSB-D212-725-4 Rev. A has been accomplished.

CANADA  
 DEPARTMENT OF TRANSPORT  
 AIRCRAFT CERTIFICATION  
 BRANCH  
 DAO # 01-O-01

**APPROVED**  
 BY: *[Signature]*  
 D. SHEPHERD (DE # 02)

DATE: 12.06.13  
 CERT. NO.: SH07-28  
 ISSUE NO.: 2

DESIGN	<i>BC</i>
DRAWN	<i>BC</i>
CHECKED	<i>[Signature]</i>
MFG. APPR.	N/A
APPROVED	<i>[Signature]</i>
DE APPR.	<i>[Signature]</i>
DATE	12.06.13

**DART AEROSPACE LTD**  
 HAWKESBURY, ONTARIO, CANADA

DRAWING NO. **DSB-D212-725-4** REV. A  
 SHEET 3 OF 4

TITLE **SERVICE BULLETIN** SCALE NTS

COPYRIGHT © 2012 BY DART AEROSPACE LTD  
 THIS DOCUMENT IS PRIVATE AND CONFIDENTIAL AND IS SUPPLIED ON THE EXPRESS CONDITION THAT IT IS NOT TO BE USED FOR ANY PURPOSE OR COPIED OR COMMUNICATED TO ANY OTHER PERSON WITHOUT WRITTEN PERMISSION FROM DART AEROSPACE LTD.

NOTIFY EAGLE COPTERS THAT THE DSB-D212-725-4 HAS BEEN INCORPORATED INTO THE AIRCRAFT LISTED BELOW.

AIRCRAFT SERIAL NUMBER: \_\_\_\_\_

AIRCRAFT OWNER: \_\_\_\_\_

DATE DSB-D212-725-4 WAS INCORPORATED ON THE ABOVE AIRCRAFT:

\_\_\_\_\_

SIGNATURE OF PERSON RESPONSIBLE FOR ENTRY INTO AIRCRAFT TECHNICAL RECORD:

\_\_\_\_\_

PRINT NAME OF PERSON RESPONSIBLE FOR ENTRY INTO AIRCRAFT TECHNICAL RECORD:

\_\_\_\_\_

Email this page to: [dshepherd@dartaero.com](mailto:dshepherd@dartaero.com)

DESIGN	N/A	<b>DART AEROSPACE LTD</b> HAWKESBURY, ONTARIO, CANADA	DRAWING NO. <b>DSB-D212-725-4</b>	REV. A
DRAWN	<i>DC</i>			SHEET 4 OF 4
CHECKED	<i>DS</i>	TITLE <b>SERVICE BULLETIN</b>	SCALE NTS	
MFG. APPR.	N/A			
APPROVED	<i>[Signature]</i>			
DE APPR.	<i>[Signature]</i>	COPYRIGHT © 2012 BY DART AEROSPACE LTD		
DATE	12.06.13	THIS DOCUMENT IS PRIVATE AND CONFIDENTIAL AND IS SUPPLIED ON THE EXPRESS CONDITION THAT IT IS NOT TO BE USED FOR ANY PURPOSE OR COPIED OR COMMUNICATED TO ANY OTHER PERSON WITHOUT WRITTEN PERMISSION FROM DART AEROSPACE LTD.		